

PVDF
ECTFE ECTFE
PP PP
HDPE HDPE
FEP FEP
PFA PFA
ETFE



Ball float check valve (NRV)

Brightech Valves and Controls Pvt.Ltd.
An ISO 9001:2000 Certified Company

BRIGHTECH™ Straight type unidirectional, Two pc design, Full port Bolted body construction, flanged end, Teflon® lined Ball float check valve. (NRV)

Design Feature & Benefits

Either Direction

This valve can be installed in either direction. (Vertically or Horizontally)

Solid PTFE Ball

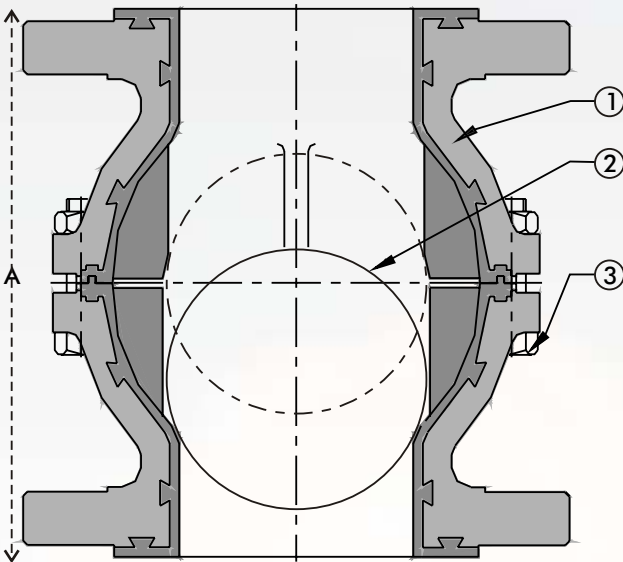
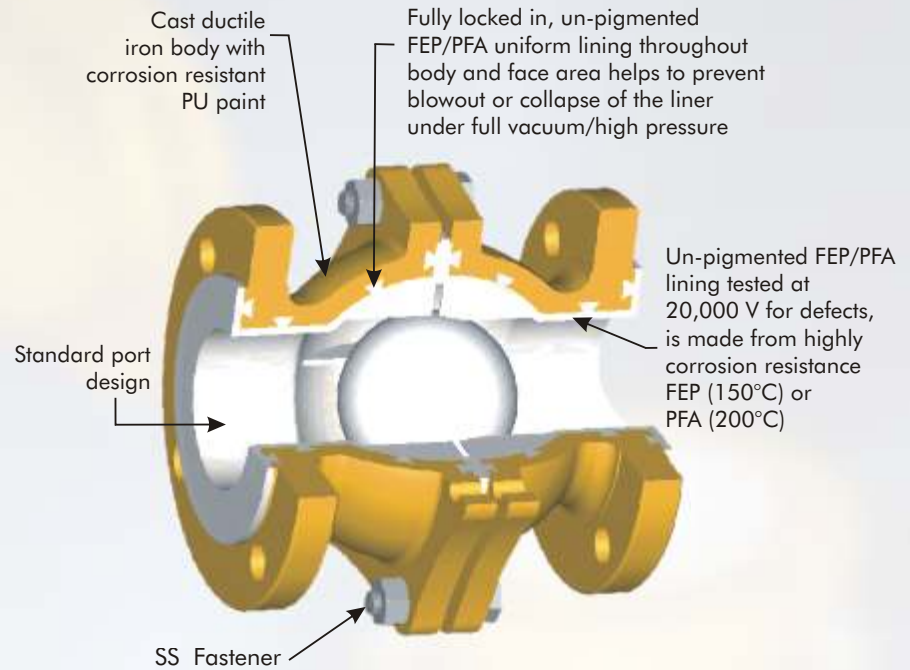
The solid PTFE smooth finish ball is used having the same properties as FEP/PFA assured tight sealing against reverse flow

Full Flow Efficient

The full port design offers excellent flow characteristics to minimize pressure loss

Low Cracking Pressure

The minimum cracking pressure required to unseat the ball in the vertical position is 5 psi.



Material Specifications

SR.NO.	PART NAME	MATERIAL
1	Body	Cast Ductile Iron with Lining
2	Ball	Solid PTFE
3	Bolts & Nuts	SS 304/SS 316

Dimensions (mm) & Other Characteristics

Valve Size	25	40	50	80	100	150
A ^{±1.6}	127	165	178	203	229	400
C _v	2.5	55	90	240	270	300
Weight (kg)	4.5	9.0	13.0	25	34	39.5

Lining Specification

Other Lining Material	PVDF, ETFE, ECTFE, PP & HDPE
Lining Thickness	Min. 3.0mm/4.0mm overall.
Spark Test	Body lining & all wetted parts are spark tested at 20,000 V.
Hydro Test	Body hydro test at 20 kg/cm ² , Seat hydro test at 15 kg/cm ² .

Other Types of Check Valve

- "Y" type Ball Check Valve
- Wafer Check Valve

Teflon is the registered trademark of E I Dupont



ISO 9001



QM011

Brightech Valves and Controls Pvt. Ltd.

Plot No.:- 345, Road No. :- 6, GIDC Kathwada, Ahmedabad 382 430, Ph.: +91-79-22902911, 65248816, Fax.: +91-79-22900538
E-mail: info@brightechvalves.com, Web.: www.brightechvalves.com

www.brandaid.co.in